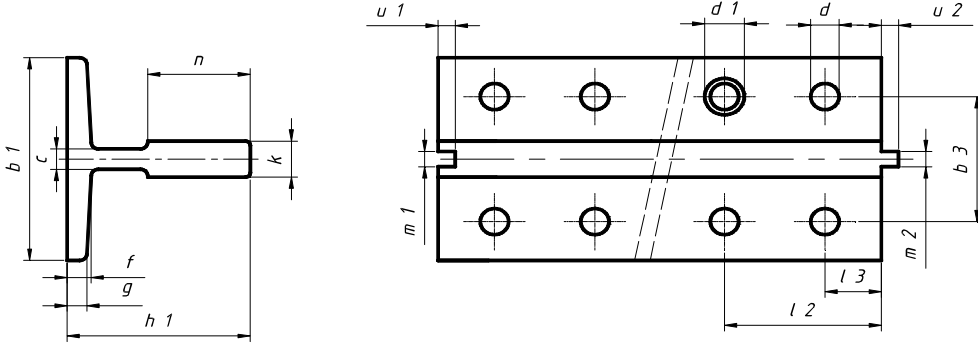


GOLD DRAWN GUIDE RAILS / SOĞUK ÇEKİLMİŞ RAYLAR

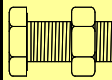



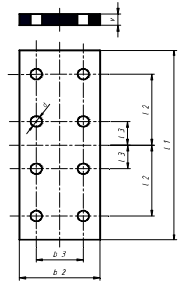
V max: 1 m/s

Counterweight guide's physical dimensions / Karşı ağırlık rayı fiziksel ölçüler (mm)								
ISO 7465:2007	b ₁	h ₁	k	p	m ₁	m ₂	u ₁	u ₂
	Tolerances / Toleranslar							
	±1	±0,2	±0,15	±0,5	+0,06 0	0 -0,06	±0,1	±0,1
T50/A	50	50	5	5	2	1.95	2.5	2

Physical dimensions / Fiziksel ölçüler (mm)											
ISO 7465:2007	b ₁	h ₁	k	n	c	f	g	m ₁	m ₂	u ₁	u ₂
	Tolerances / Toleranslar										
	±1,5	±0,1	+0,1 0	+3 0	-	± 0,75	± 0,75	+0,06 0	0 -0,06	± 0,10	± 0,10
T70/A	70	65	9	34	6	8	6	3	2.97	3,50	3
T82/A	82	68	9	34	7,50	8.25	6	3	2.97	3,50	3
T89/A	89	62	16	34	10	11,10	7,90	6,40	6.37	7.14	6.35
T90/A	90	75	16	42	10	10	8	6,40	6.37	7.14	6.35

Technical Characteristics / Teknik özellikler									
ISO 7465:2007	S	q ₁	e	I _{x-x}	W _{x-x}	i _{x-x}	I _{y-y}	W _{y-y}	i _{y-y}
	cm ²	Kg/m	cm	cm ⁴	cm ³	cm	cm ⁴	cm ³	cm
T50/A	4.75	3.73	1.43	11.24	3.15	1.54	5.25	2.1	1.05
T70/A	9.4	7.379	2.034	40.95	9.169	2.087	18.86	5.389	1.417
T82/A	10.91	8.564	1.998	49.31	10.27	2.126	30.17	7.358	1.663
T89/A	15.77	12.38	2.032	59.83	14.35	1.948	52.41	11.78	1.823
T90/A	17.25	13.54	2.612	102	20.86	2.431	52.48	11.66	1.744

Holes and Fishplates / Bağlantı pabucları (mm)								Civata	Tırnak	
ISO 7465:2007	d	l ₁	l _{2f}	l _{3f}	b ₂	b ₃	V	TSEN4017	DIN 7168	
	Tolerances / Toleranslar									
		+3 0	±0,2	±0,2	-	±0,2	+3 0			
T50/A	9	200	75	25	50	30	8	M8x25	M1	
T70/A	13	250	105	25	70	42	10	M12x35	M2	
T82/A	13	216	81	27	80	50.8	10	M12x35	M2	
T89/A	13	305	114.3	38.1	90	57.2	13	M12x40	M3	
T90/A	13	305	114.3	38.1	90	57.2	13	M12x40	M3	



STANDARDS/STANDARTLAR
LENGHT/BOY
PACKING/PAKET
END PROTECTION/KORUMA
STEEL/ÇELİK

ISO 7465:2007
5000 mm ± 2 mm / 2500 mm ± 2 mm
Bundles 1000 Kg. APPROX
Coated by Anticorit BW 366 to remove easily with usual disolvents
ISO 630 / E 235 B