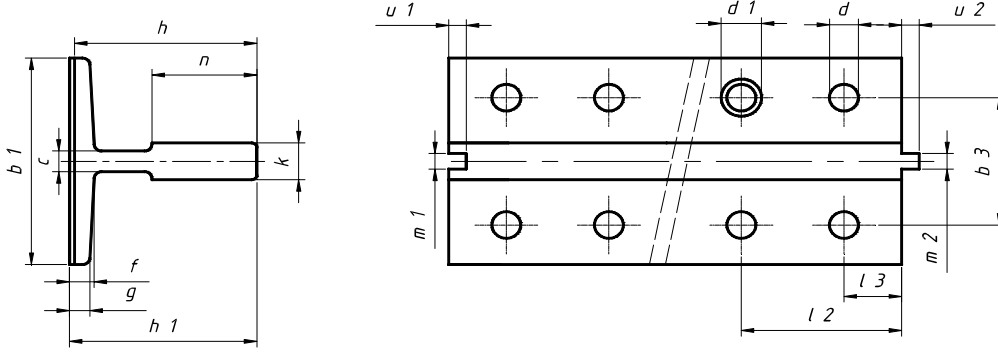
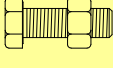



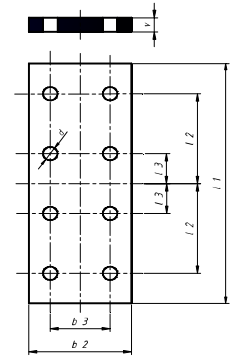
## MACHINED GUIDE RAILS / İŞLENMİŞ RAYLAR



Physical dimensions / Fiziksel ölçüler (mm)												
ISO 7465:2007	b <sub>1</sub>	h <sub>1</sub>	h	k	n	c	f	g	m <sub>1</sub>	m <sub>2</sub>	u <sub>1</sub>	u <sub>2</sub>
	Tolerances / Toleranslar											
	±1,5	±0,75	±0,1	+0,1 0	+3 0	-	± 0,75	± 0,75	+0,06 0	0 -0,06	± 0,10	± 0,10
T89/B	89	62	61	16	34	10	11,10	7,90	6,40	6.37	7.14	6.35
T90/B	90	75	74	16	42	10	10	8	6,40	6.37	7.14	6.35
T114/B	114	89	88	16	38	9,50	11	8	6,40	6.37	7.14	6.35
T125/B	125	82	81	16	42	10	12	8	6,40	6.37	7.14	6.35
T127-2/B	127	89	88	16	51	10	15,90	12,70	6,40	6.37	7.14	6.35

Technical Characteristics / Teknik özellikler									
ISO 7465:2007	S cm <sup>2</sup>	q <sub>1</sub> Kg/m	e cm	I <sub>x-x</sub> cm <sup>4</sup>	W <sub>x-x</sub> cm <sup>3</sup>	i <sub>x-x</sub> cm	I <sub>y-y</sub> cm <sup>4</sup>	W <sub>y-y</sub> cm <sup>3</sup>	i <sub>y-y</sub> cm
T89/B	15.77	12.38	2.032	59.83	14.35	1.948	52.41	11.78	1.823
T90/B	17.25	13.54	2.612	102,0	20.86	2.431	52.48	11.66	1.744
T114/B	20.89	16,40	2.865	179.3	29,70	2,930	108.6	19.05	2,280
T125/B	22.82	17.91	2,430	151,0	26.16	2.572	159.1	25.46	2.641
T127-2/B	28.72	22.55	2.478	201.7	31.17	2.64	229.9	36.2	2.829

Holes and Fishplates / Bağlantı pabucları (mm)								Cıvata	Tırnak
ISO 7465:2007	d	l <sub>1</sub>	l <sub>2f</sub>	l <sub>3f</sub>	b <sub>2</sub>	b <sub>3</sub>	V	TSEN4017	DIN 7168
	Tolerances / Toleranslar								
	+3	0	±0,2	±0,2		±0,2	+3 0		
T89/B	13	305	114.3	38.1	90	57.2	13	M12x40	M3
T90/B	13	305	114.3	38.1	90	57.2	13	M12x40	M3
T114/B	17	305	114.3	38.1	120	70	18	M16x50	M4
T125/B	17	305	114.3	38.1	130	79.4	18	M16x50	M4
T127-2/B	17	305	114.3	38.1	130	79.4	18	M16x50	M5



**STANDARDS/STANDARTLAR** ISO 7465:2007  
**LENGHT/BOY** 5000 mm ± 2 mm / 2500 mm ± 2 mm  
**PACKING/PAKET** Bundles 1000 Kg. APPROX  
**END PROTECTION/KORUMA** Coated by Anticorit BW 366 to remove easily with usual disolvents  
**STEEL/ÇELİK** ISO 630 / E 275 B